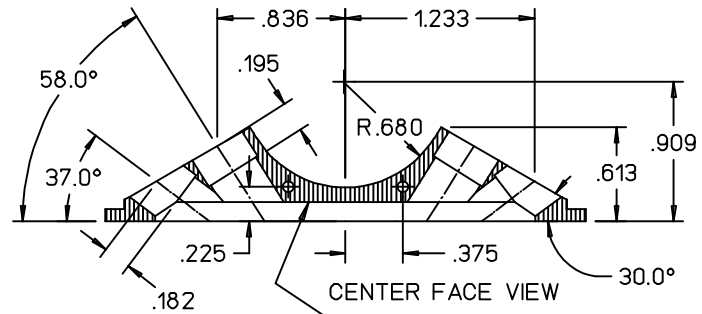
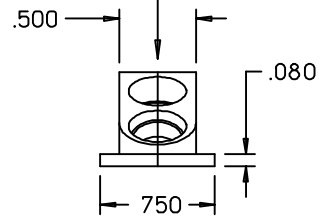
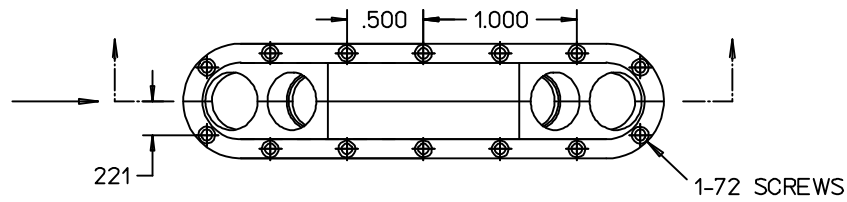
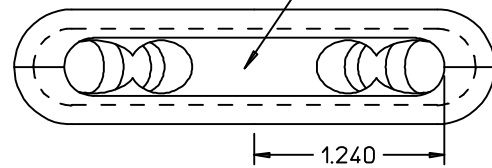


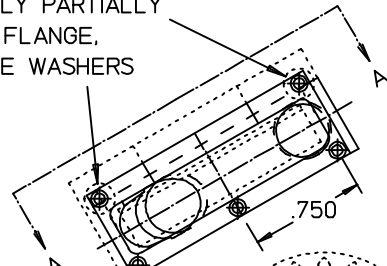
THIS PART IS SPLIT  
DOWN THE CENTER,  
AND IS INSTALLED  
LAST



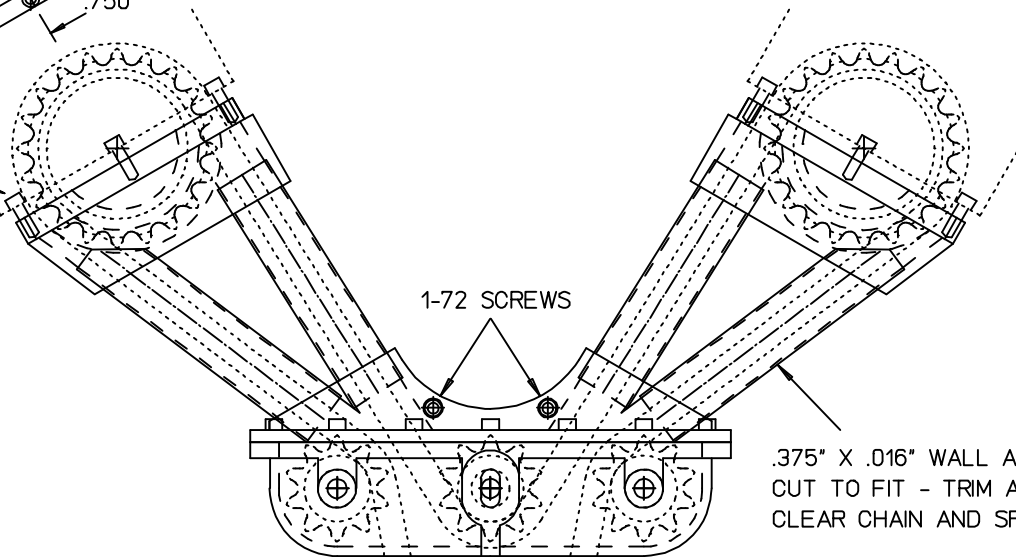
CUT .375" WIDE POCKET .125" DEEP



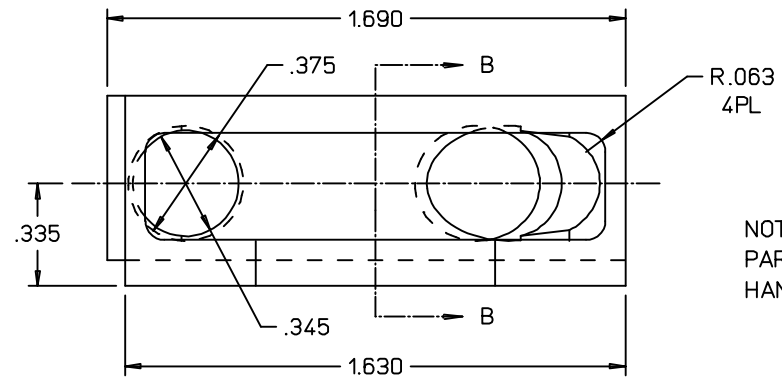
IF SCREW HOLES  
ONLY PARTIALLY  
IN FLANGE,  
USE WASHERS



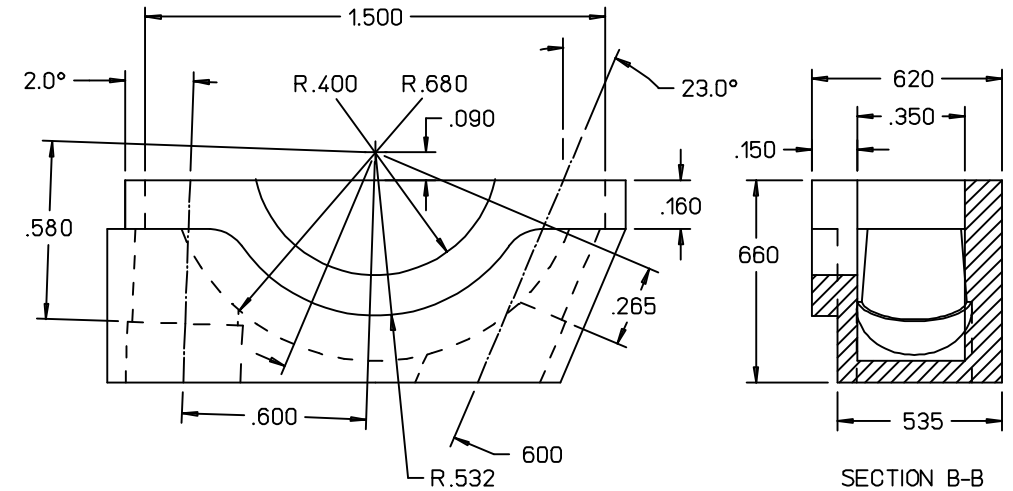
ATTACH TO  
HEAD USING  
1-72 SCREWS



.375" X .016" WALL ALUMINUM TUBING  
CUT TO FIT - TRIM AS NEEDED TO  
CLEAR CHAIN AND SPROCKETS.



NOTE: RIGHT HAND  
PART SHOWN - LEFT  
HAND IS MIRROR



DETAIL VIEW A-A

SECTION B-B

THIS IS A PROPOSED METHOD FOR ENCLOSING THE CHAIN.  
ADJUSTMENTS AND TRIMMING MAY BE NEEDED. INSTALL  
USING RTV FLANGE SEALANT ON ALL JOINTS.

MATL. AL 6061

TIMING CHAIN COVER		5060 -
		1 of 1
Quarter-Scale Merlin - Dynamotive - San Diego, CA		